



GROUNDWAVE

OTTAWA AMATEUR RADIO CLUB * NEWSLETTER * OCTOBER 1997

In This Issue ...

September Meeting Minutes Page 3

MK's words. Page 4

Joe Norton Award. Page 4

Basic Stamp. Page 5

Packet Net Changes Page 5

RAC NEWS Page 6

Hamfests & Special Events Page 9

QCWA Page 9

**Ottawa Amateur Radio Club
Inc.**
P.O. Box 8873, Ottawa, Ont
K1G3J2

Check out our Web Page
www.worldlink.ca

Next General Meeting
Wednesday, October 1st, 1997



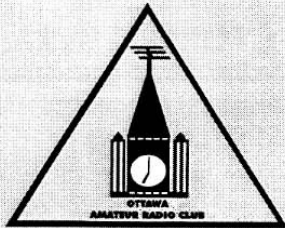
Field Day Report



| BAND | CW | PHONE |
|-----------------------------|------------|-------------|
| 80 | 159 | 104 |
| 40 | 228 | 42 |
| 20 | 128 | 55 |
| 15 | 6 | 0 |
| 2 | 0 | 9 |
| 70 cm | 0 | 1 |
| Total QSO's | 521 | 211 |
| Total QSO Points | | 2506 |
| Claimed Bonus Points | | 700 |
| Expected Score | | 3206 |



Ottawa Amateur Radio Club



Executive

President

Richard Hagemeyer, VE3UNW
(H) 225-3275
(W) 781-0621

Vice-President

Ed Strange, VA3CEJ

Secretary

Greg Danylchenko, VE3YTZ
(H) 236-9291

Treasurer

George Roach, VE3BNO
(H) 234-0885
(W) 738-2372

Director 1

Rick Furniss, VE3IHI
(H) 224-2604

Director 2

Marc Pichette, VA3DRV
(H) 241-9341

Director 3 Vacant, VE3NO1

(H) PLS-FILL

Packet Group Chair

Norm Rashleigh, VE3LC
(H) 837-1733
(W) 998-7334

Repeater Chair

Harrie Jones, VE3HYS
(H) 739-9365
(W) 738-2372

Net Manager

Marc Pichette, VA3DRV
(H) 241-9341

Membership Chair

Clayton Jenkins, VE3CBJ
(H) 820-0463

Groundwave Editor

John Senez, VA3JBS
(H) 237-4132

Graphic Designer

Maria Townson, VE3KIP
(H) 828-9573

Production Committee

Paul Campbell, VE3PC
(H) 733-0148

Delegated Examiners

Richard Hagemeyer, VE3UNW
(H) 225-3275
(W) 953-0638

Mike Kelly, VE3FFK

(W) 788-2600

Coffee Guys

Bob Lawson, VA3YLR
(H) 746-9886

Brian Campbell, VE3 ZRK

(H) 737-3933

OARC Inc. Memberships

Individual Membership is available for \$20.00

Family Membership is available for \$25.00

New Hams just licensed may qualify for free membership, contact the membership Chair.

Junior Memberships - To encourage young people to join the club and to participate in amateur radio, the club is opening a junior class of membership. Dues will be at 50% discount but the junior member must pick up his/her copy of the Groundwave (preferably at the meeting).

Club Information

The Ottawa Amateur Radio Club, Inc. (OARC). Is an association of Radio Amateurs devoted to the promotion of interest in Amateur Radio communications in the National Capital Area; and to the advancement and achievement of club members.

Regular Meetings of the OARC Inc., are held on the first Wednesday of each month (except July and August) in the Keefer Room (2nd floor of the Old Teacher's College) of the Regional Municipality of Ottawa Carleton Head Quarters complex on Lisgar Street. Meetings commence at approximately 19:30 hours. Further details about each meeting is elsewhere in this publication.

Executive Meetings of the OARC Inc., are normally held on the second Wednesday of each month at 19:30 hours. Contact the President to confirm the date, time and place of the next meeting.

Packet Radio Meetings will be held at 19:30 hours on the last Thursday of every second month beginning in September, at the Museum of Science and Technology. This is an OARC Inc. Technical meeting open to all who have an interest in packet radio.

NET's of Interest

The Capital City FM Net meets every Monday at 20:00 hours on the club repeater VE2CRA to pass traffic and to make announcements of interest to amateurs in the National Capital Region.

Packet Radio Voice Net meets every Monday at 20:30 hours immediately following the Capital City FM net. This is an informal net to answer questions about packet radio, pass along operating hints and provide information for future packet operators.

The SWAP Net is a service provided and conducted by Dan Reardon, VE3GUU. This feature appears on the Capital City FM Net. To list items and make inquiries, call Dan Reardon at 836-2633, Fax: 836-5635.

The POT-HOLE NET is a SSB/HF net sponsored by the Ottawa Valley Mobile Radio Club and is conducted every Sunday at 10:00 hours on 3.760 Mhz. All amateurs are welcome to check in. The SWAP Net is a regular feature of this net.

Club Repeaters

| | | | |
|-----------------|-----------------|--|------------|
| VE2CRA - Voice | 146.94/146.34 | | |
| | 443.300/448.300 | | |
| - Packet | 147.07(sx) | Local Area net for QSO and Packet BBS. | |
| 56 kbps Packet | 220.55/433.55 | | |
| East of Ottawa | 145.69(sx) | Ottawa Centre | 145.07(sx) |
| Hull | 145.05(sx) | West of Ottawa | 145.03(sx) |
| South of Ottawa | 144.91(sx) | Nepean | 145.59(sx) |
| West Carleton | 144.97(sx) | | |

For further information, please contact the Repeater Chair.

The Finer points of publishing

Material published herein does not necessarily represent the official OARC viewpoint. Items may be reprinted by Amateur Radio Clubs or other publications provided that proper credit is given to the author and to the OARC, Inc.

September Meeting Minutes

September 3, 1997 The Meeting was called to order by the President, Richard (VE3UNW), at 7:45 p.m.

Richard welcomed everyone back after the summer to this, the first meeting of the 1997-98 season. We had a large number of guests this evening including: Steve (VA3MGX), Mark (VA3STH), Carel (VE3NBW), Keith (VA3KPP), Liz (VA3ELB) and Tom (VA3WTJ). (Hope to see most if not all of you signing up as members.)

In the traditional help and wants part of the meeting, Paul Coverdale (VE3ICV) asked if members were experiencing problems receiving their QST magazines. The response was mixed some said yes, others no. Paul was then invited to report on Field Day, which was held on June 28-29 at the Club's traditional Nortel Corkstown site. Paul indicated that a small but very enthusiastic group operated a 1A site with HF and VHF/UHF stations. There were 8-10 operators, with several new this year. There were 521 CW contacts, 211 phone for a total of 2506 operating points plus 700 bonus for a total of 3206 pts. The official results will be in the November QST, but he predicted the OARC Club station, VE3RC, should come in its usual second in Canada for its class. Nice job Paul! and thanks to you and all the others who came out. (You can believe your minute taker that this event is a lot of fun, and if you can at all make it next year, don't hesitate.)

Of course, there was great interest generally from the members as to how the West Carleton Club did, as this is the OARC's great rival. Ken (VA3KA) reporting on behalf of the West Carleton Club stated that they made 655 contacts plus earned 1,000 bonus pts. Despite these impressive numbers, Ken predicted that the OARC would slightly beat out the West Carleton Club. However, no coffees would be served until the official results are in. (Too bad Ken, but like the Toronto Maple Leafs, there is always next year!)

Richard called upon Ed (VA3CEJ) to report on what has generally been acclaimed a very successful Flea market, held over the Labour Day weekend. As Ed stated, there were 203 paid attendees. The feedback from vendors was very positive and he predicted that next year's Flea Market would be held at the same location on the same holiday weekend. Ed thanked all the volunteer helpers. While the final numbers were not yet in, Ed believed that the Club either broke even or perhaps even made a small profit. (Members should be hearing preliminary information about next year's flea market in the not too distant future.)

Richard called upon our new Groundwave Editor John (VA3JBS) for a few words. John asked for comments on the new layout and the members responded very positively. (Beautiful job John, really nice.) He went on to ask for articles and ideas as to what the members would like. The best way to reach John is via the e-mail facility on the Club's Web Site (www.worldlink.ca/oarc). Richard then turned to the matter of the Club's ten-meter beacon (VE3TEN) which will be up and running very soon on 28.175 MHz from CFRA's AM site south of Ottawa. Richard thanked the many persons involved in the refurbishment project including Mike (VE3FFK), Rick (VE3IHI) and Harrie (VE3HYS) who will install it at

its site.

Doug Leach (VE3XK) advised members that RAC's e-mail call sign server was now operational.

Richard asked members at large what they thought of the new amateur radio magazine "On the Air" published by an Ottawa area amateur Dave Hamilton (VA3UE). Apparently, a number of complimentary copies were sent out. Of those who had received it (about 50% of the members present), the reaction was positive with some members already subscribing. In Ottawa, the magazine is available from Bytown Marine.

Mike (VE3FFK) advised the members that Phase 3D had only a small chance of meeting the launch deadline. Major work on the amateur satellite has been necessary due to higher standards imposed by the European Space Agency against vibration and other stresses experienced during a launch.

Richard reminded members that the Club would be holding the Joe Norton award again this year. Amateurs licensed less than two years are eligible to be considered for a prize of \$500. There will be more information later.

Ed asked members to consider programming/hardware projects for Algonquin students along the lines of last year when students enhanced Richard's plain text to Morse Code conversion program. Ed is looking for 4 or 5 more programming ideas. Also Ed explained that Algonquin electronics students are currently building 440Mhz and 1.2 GHz beacons. Ed went on to mention that next month's presentation would probably be about the history of police communication.

Other meetings this year will include a presentation on DSP; there will be a volunteer recognition night, and elections in June. Ed is still looking for a spread spectrum expert. John (VE3CIV) offered to present antenna modelling software some time this year. Ed closed by advising that next month's meeting reverts to the Keefer Room, as normal.

Marc (VA3DRV), the Club's Net Manager, asked for volunteer Net Controllers. The current rotation ends in October and this is the time for anyone interested in net controlling to get on the next rotation.

At the tail end of the meeting, John (VE3GS) announced that he brought a number of magazines that members may wish to pick up. Mike (VE3FFK) reminded everyone that the area nets are now resuming.

As the last item of the meeting, Mike (VE3KOY) gave away a lap-top computer that needed repair work. It was basically impossible to beat Marc (VA3DRV) to that lap-top because he was sitting right next to Mike, almost as if knew that it was going to be given away.

The meeting adjourned at approximately 8:25 p.m. until October. Most members (being the social types they are) lingered for coffee and eye-ball QSOs.

Mk's words

Sept. 9 97 This summer has been so long that I even managed to put the HF antenna back up in the sky at home again. Unfortunately, one end came down within a week of that burst of energy (sigh).

The flea market/ hamfest has come and gone, and so have a bunch of bargains. The nets are beginning to come back to life after the summer doldrums. As I write this, it looks like the launch of the Phase 3D hamsat is going to go down to the wire, with the guys working 16 to 18 hour days to get it ready to go. Although it doesn't look promising, keep your fingers crossed. The local 10 metre beacon, on 28.175 FSK, is back on the air from its permanent home after a few years off the air, a few weeks in the radio hospital and a few days in my attic. With a little more luck, (and a few more sunspots) we should be able to hear some of the more remote beacons soon, too.

While listening for the beacon recently, I heard a station who was portable in KP4 on ten at 18:30 local, so the bands are coming back. It would be a fine time to be a new HF ham again, when every month brings spectacular new contacts. The old timers will grin when they hear those who have gotten on HF in the past two years suddenly finding out what its all about.

Speaking of newcomers, were you one of the "one in four" hams who received the "On the Air" magazine? What did you think? Is there room for another amateur radio magazine? Can they keep the sense of fun and avoid the temptation to talk politics? Can they print a whole magazine without a picture of '3UE? Stay tuned. I hope they make it.

The bike and I have been on HF a little more than in other summers, if only because the commute is longer. Unfortunately, the long commute also means that taking off for a Sunday drive on it isn't as much fun as it used to be. Maybe having a radio on board for the "big waves" will help that situation. Now that the pot lid CW net is back, I should try to get on that from the bike again.

The swap net is back, and Dan has a brand new email address (ve3guu@igs.net). Thanks to those guys at IGS (again!). There are already some good bargains to be had on the swap net. Next thing you know, the swap net list will be on the internet, like everything else seems to be these days.

Joe Norton Trust Award

The OTTAWA AMATEUR RADIO CLUB INC. awards annually the Joe Norton Trust Award for the advancement of amateur radio. The amount of this award is approximately \$500.

ELIGIBILITY:

To be eligible, a candidate must:

1. Be a resident of the National Capital Region as defined by the official federal government map.
2. Have received a Certificate of Proficiency in radio from Industry Canada during the period June 1, 1995 to June 1, 1997.
3. Send a written submission of no less than 600 words and no more than 900 words to the executive of the OTTAWA AMATEUR RADIO CLUB INC., setting out his or her interests, achievements and plans to contribute to the advancement of amateur radio.
4. Present him/herself for an interview if so requested by the judges.

RULES

1. Entries must be received on or before November 11, 1997. No entries received after that date will be considered.
2. The club will send an acknowledgment in writing upon receipt of an application.
3. A panel of judges appointed by the executive of the OTTAWA AMATEUR RADIO CLUB INC. will evaluate all entries.
4. Finalists may be interviewed by members of the executive of the OTTAWA AMATEUR RADIO CLUB INC., the panel of judges, or both.
5. Submissions will not be returned.
6. If the judges do not select a candidate in any year, no award shall be made in that year and the monies shall return to the trust fund.
7. All decisions of the executive of the OTTAWA AMATEUR RADIO CLUB INC. are final.
8. The winner will be notified on or before November 21, 1997.
9. The winner will notify the OTTAWA AMATEUR RADIO CLUB INC. of his or her acceptance of the award no later than November 28, 1997.
10. The award will be made during the regular meeting of the OTTAWA AMATEUR RADIO CLUB INC. in December.
11. The winner agrees to have his or her name, photograph and address published in club bulletins, trade papers and magazines, and on the airwaves.

Send your entry, to be received no later than November 11, 1997 to:

Joe Norton Trust Award
OTTAWA AMATEUR RADIO CLUB INC.
P.O. Box 8873
Ottawa, ON
K1G 3J2

Basic Stamp

Introduction.

As promised last month, here's a quick rundown of the Basic Stamp. Produced by Parallax Inc in California and available in Canada from Aerosystems International Inc. As well, Digi-Key's Canadian catalogue lists Parallax products on page 111.

The Basic Stamp is a microcontroller developed by Parallax which is easily programmed using a "tiny" BASIC programming language. This is accomplished by hooking up your PC to the stamp and transferring your program to the stamp's on-board EEPROM memory. The Stamp part of the name comes from the physical size of the original Stamp. The Basic Stamp 2 (or BS2) measures just 30mm X 16mm X 9mm. For you non-metric types that's 1.2" X 0.62" X 0.35". Now that's small! It's also cheap. \$49 Cdn for a BS1 and \$69 Cdn for a BS2.

I will be concentrating on the BS2 in this article because that's what I ordered.

The BS2 is really a technological marvel. It contains at least 8 discrete surface mount components on a 24-pin DIP. This includes the PIC microcontroller, the brains of the outfit, 2 Kb of EEPROM memory for program storage, a 20Mhz clock and regulator circuitry. I ordered mine along with a carrier board. This board provides a socket for the BS2, a 9-pin serial connector for PC connection, and a small prototyping area. The size and price (\$28 Cdn) of the carrier board make it very easy to just use it as is in your final project. If you really get into Stamps however, you'll want to program the Stamp in the carrier and then remove the chip for placement in the final device.

The real power of the Stamp comes from the 8 (BS1) or 16 (BS2) input/output (I/O) lines which can be used for a variety of digital or analog purposes. And to keep life simple, they're directly accessible using the special PBASIC language. Familiar BASIC instructions such as GOTO, FOR...NEXT and IF...Then as well as specialized instructions for serial I/O, pulse measurement, button debouncing, DTMF tones and X-10 home control. The list of instructions and the capabilities they represent is rather impressive.

I hope the diagram is readable. You can really start to appreciate the complexity of this wonder-chip. To get a better picture of the versatility of the Stamp and to find out more about the Stamp family of products, get on the Internet and point your browser to www.parallaxinc.com. The full PBASIC instruction set as well as various application kit descriptions are available at the site.

Parallax Inc. 3805 Atherton Road, Suite 102 Rocklin, California 95765, USA 888-512-1024 Orders (916-624-8333 Office/Technical Support 916-624-8003(fax) www.parallaxinc.com

Aerosystems international Inc. 3538 Ashby St. Laurent, PQ H4R 2C1 514-336-9426, 514-336-4383(fax) aerosystem@montreal.com

Digi-Key 701 Brooks Avenue South PO Box 677 Thief River Falls, MN 56701-0677 800-DIGI-KEY (800-344-4539) 218-681-3380(fax) www.digikey.com

Packet Net Changes

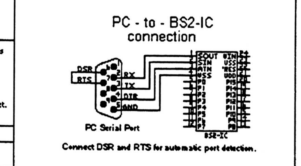
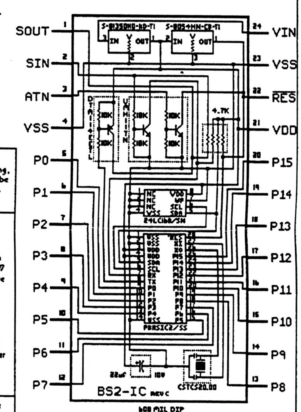
The formal "Packet Voice Net" following the "Capital City FM Net" has been discontinued. Anybody having packet related questions are free to raise them during the regular net proceedings with the hope these can be answered by listening knowledgeable souls after the formalities of the net. Further, people with packet questions may contact Norm Norm Rashleigh, VE3LC by phone at (H) 837-1733 (W)998-7334 or by e-mail, VE3LC@hydra.carleton.ca

BS2-IC rev. c Complete BASIC Stamp II circuit in SMT

Features

- * PBASIC2 Interpreter
- * 2048-byte EEPROM
- * 20MHz Resonator
- * 5V Regulator
- * 4V Brown-Out Reset
- * PC Serial Interface
- * 16User I/O Pins
- * 8ma Run / 100uA Sleep (Pin mode, I/O's @ VSS/VDD)

| PIN | NAME | FUNCTION | DESCRIPTION |
|-----|------|---------------|---|
| 1 | SOUT | Serial Out | Temporarily connects to PC's Rx. |
| 2 | SIN | Serial In | Temporarily connects to PC's Tx. |
| 3 | ATN | Attention | Temporarily connects to PC's DTR. |
| 4 | VSS | Ground | Temporarily connects to PC's GND. |
| 5 | PI | USER I/O 1 | User port pins that can be used as inputs or outputs. In output mode: Pins will source from VDD or sink to VSS. Flow should not be allowed to source more than 20ma or sink more than 25ma each. All groups, PI-P7 and PI-P15 should not be allowed to source more than 40ma or sink more than 50ma each. In input mode: Pins are floating (see Ohm's law leakage). The I/O logic threshold is approximately 1.4V. NOTE: To realize low power during sleep, make sure that no pins are floating, causing erratic power drain. Either drive them to VSS or VDD, or program them as outputs that don't have to source current. |
| 6 | PI | USER I/O 2 | |
| 7 | PI | USER I/O 3 | |
| 8 | PI | USER I/O 4 | |
| 9 | PI | USER I/O 5 | |
| 10 | PI | USER I/O 6 | |
| 11 | PI | USER I/O 7 | |
| 12 | PI | USER I/O 8 | |
| 13 | PI | USER I/O 9 | |
| 14 | PI | USER I/O 10 | |
| 15 | PI | USER I/O 11 | |
| 16 | PI | USER I/O 12 | |
| 17 | PI | USER I/O 13 | |
| 18 | PI | USER I/O 14 | |
| 19 | PI | USER I/O 15 | |
| 20 | PI | USER I/O 15 | |
| 21 | VDD | REGULATOR OUT | Output from 5V regulator (5V powered). Should not be allowed to source more than 50ma, including PI - PI15 loads. |
| | | POWER IN | Power input (5V not powered). Accepts 4.5V-5.5V. Current consumption is dependent upon run/sleep mode and I/O's. |
| 22 | RES | RESET IO | When low, all I/O's are inputs and program execution is suspended. When high, program execution begins start. Goes low when VDD is less than 4V or ATN is greater than 1.4V. Pulled to VDD by a 4.7K resistor. May be monitored as a brown-out/reset indicator. Can be pulled low externally (i.e. button to VSS) to force a reset. Do not drive high. |
| 23 | VSS | GROUND | Ground. Located next to VIN for easy battery hookup. |
| 24 | VIN | REGULATOR IN | Input to 5V regulator. Accepts 5.5 to 15V. If power is applied directly to VDD, pin may be left unconnected. |



RAC NEWS

970904: St.Paul's Island station Oct. 23 to Nov. 2, 1997

The CY9DX expedition has been delayed until 23rd of October. We need more time to prepare the 2m operation and few other problems have to be solved. The new scheduled date is 23rd Oct. - 02 Nov.'97. The weather will be colder but the CONDX better. For more info HAMs can visit <http://www.dipole.com/>
73 es DX - Lou/VA3RU
va3ru@dipole.com

970904: Fresh fall harvest of bad email addresses

Neil, VE3PUE, reports that the RAC email robots have been receiving an unusually large number of subscription requests with bad email addresses. Since the robots use the "From:" address embedded in your email header, an incorrect address in the header means no RAC-Bulletins for you! To check your "From:" address, send a copy of the email message to yourself. When you receive the copy you sent, check the "From:" address. If you don't receive the copy, then you have a problem. If you use a web browser such as Netscape or Microsoft Internet Explorer to send your subscription request, make sure the browser is set up with a valid return email address.

970829: RAC / RAQI cooperation on the web

Radio Amateur du Québec Inc. (RAQI) has recently launched its new web site at: <http://www.raqi.qc.ca/>

RAC and RAQI are cooperating by cross linking their sites, and by sharing material of interest to members of both organizations. Many of the French language pages developed by RAC over the past two years are now being moved to the RAQI web site and maintained by RAQI. These will, however, still be accessible from the RAC French language home page. In exchange, RAQI will link to the RAC web site to provide easy access to information for those of its readers who prefer English.

Guy Charron VA3FZA will continue to be responsible for the quality and content of the French language side of the RAC web site, but will be able to provide a higher level of service in a number of areas, by sharing the workload with the RAQI team.

Special thanks are due to Daniel Lamoureux VE2ZDL, President of RAQI and RAC Québec Director, and to Robert Arsenault VE2FIR and Martin Archambault VE2MAA, who worked closely with RAC during the planning and development of the RAQI web site.

RAC / RAQI cooperation on the provision of Internet services to Canadian amateurs is the most recent example of the close working relationship between the two organizations which has been in place since the formation of Radio Amateurs of Canada.

970829: WAS and VUCC accreditation

Congratulations to RAC Regional Director for Ontario South, Dana Shtun VE3DSS, who has recently been accredited by the ARRL to check cards for WAS and for VUCC (VHF/UHF Century Club). Dana joins Ken Oelke VE6AF0, Regional Director for Alberta and NWT in being accredited to carry out this task for the benefit of all Canadian amateurs. Cards should be delivered personally if close by, or mailed to one of the addresses below. NOTE : Cards sent by mail must include adequate return postage, \$ 10 if you want registered mail return, otherwise \$ 5. More information on detailed requirements can be obtained by sending e-mail to Dana at: ve3dss@aracnet.net Or to Ken at: ve6afo@cadvision.com

Dana Shtun, VE3DSS - 14 Ashwood Crescent - Etobicoke, Ontario M9A 1Z3 - (416) 232 2484.

Kenneth Oelke, VE6AF0 - 7136 Temple Dr. NE - Calgary AB, T1Y 4E7 - (403) 280-5340 .

970829: RAC announces interim microwave band plans

The RAC VHF/UHF Spectrum management committee chaired by Ontario South Director Dana Shtun, has released an interim version of bandplans covering the microwave spectrum from 3 GHz to 250 GHz. There are eight (8) amateur bands in this part of the spectrum, five of which contain allocations in which amateur radio has primary status. There is strong competition from powerful industrial interests for most of the spectrum below 75 GHz, so we will not retain our primary status long unless we make good use of it. The RAC bandplans, suggest how the frequencies can be (and are being) used by Canadian amateurs.

These bands represent a total of nearly 23,000 MHz of spectrum that we now have access to. Please look at the new interim band plans , and send comments to Dana Shtun at ve3dss@aracnet.net . The plans are now on the RAC web site, and paper copies can be obtained from RAC headquarters for a \$1 postage and handling charge. - And above all, lets get up there and USE THEM !!

970823: Vernon balloon experiment rises above the crowd

VBX-1, Vernon's first balloon experiment can be considered a huge success! The payload consisted of a styrofoam cooler as the housing, Maxon portable UHF receiver (446.00Mhz), Western portable transmitter (146.52Mhz), a K1EA repeater controller and 10 lithium D cells to power the equipment. The total weight was about 4.5 pounds.

At 11:06am (18:06 UTC) on August 9th, 1997, from the Sky High Hamfest on Silver Star Mountain, 3 weather balloons lifted the package at an initial climb rate of 300 feet per minute. During the first 1/2 hour only mobiles or stations with considerable power were

able to work VBX, but not soon after folks present at Silver Star Mountain were able to work the balloon with portables and 300mwatts. (Some from inside buildings!). Using VE7SHH as the control station, 62 contacts were made, most of them in the Okanagan Valley. Once the balloon was airborne it was carried away in a light wind from the north, which directed the balloon in a path to the south. Sky divers over the Vernon Airport @ 7000 feet, observed the balloon as did amateurs in Winfield and Naramata. The furthest contact VE7SHH made was with Tom N7HXP from Tacoma, Washington. VE7SHH lost contact with the balloon at approximately 1:52pm (20:52 UTC). The furthest station (to my knowledge) that was able to hear the balloon was Lyle KC7KSA in Goshen, Utah! In Lyle's email he stated that he observed the strongest signal at approximately 23:00 UTC at 30 degrees, which would place VBX roughly over Wyoming!

I would like to thank the following amateurs that helped make VBX a success, without them it would have not been possible! Al, VE7MET for his expert advice on balloon launches and for helping develop the initial idea for a balloon repeater. Michael, VE7TFD for his antenna mounting and research. Adrian, VE7ANB, for the wood triangle to keep the balloons separated once in the air and Rip, VE7RIP, for tuning the UHF receiver. Finally, the countless other amateurs who helped at the launch and for the many ears who listened for the balloon!

In the next few months we will begin to plan for VBX-2. We have an offer from the Wild Rose Network, based in Calgary, Alberta to co-sponsor the balloon and assemble a unit that would enable us to track the balloon once in the air. Stay tuned for more information!

73.....Wilf VE7OHM VBX-1 Balloon Coordinator
<http://www.junction.net/norac/vbx.htm>
 gwmulder@junction.net

970817: "ROARS" October 1, 1997 to December 31, 1997

Royal Omani Amature Radio Society
 ROARS Silver Jubilee Award

To Commemorate the 25th Anniversary of the Royal Omani Amateur Radio Society, we have introduced the above Award. Period: From 1st October 1997 to 31st December 1997. During this period all A4 Stations will use /SJ after their suffix. e.g. A41XX/SJ, A45XX/SJ, A47RS/SJ.

A special event station A43XXV will be QRV from 17th to 21st December 1997.

Conditions for the Award: The Award will be issued to any DX stations which qualifies to get Five (5) points. Special Event Station A43XXV counts 3 points, Club Stations A47RS/SJ and A470S/SJ counts 2 points and other individual stations counts as 1 point. Contact with the same station on different Band or Mode double the points.

Fee for the Award: Send your certified log copy with 10 IRCs or US \$ 5 to: The Awards Manager - ROARS - P.O.Box 981, Muscat - Postal Code: 113 - Sultanate of Oman.

Wishing you every Success. Best Regards, Nasser Khalfan Al Rawahi, A41KGAwards Manager.

970619: Amsat-NA Meeting in Toronto October 17-19 1997

The 1997 Annual Meeting and Symposium of AMSAT-NA will take place in Toronto, Ontario on October 17, 18, and 19 1997. This is the first time that AMSAT-NA has visited Canada for this important event.

The event is being co-ordinated by Robin Haighton VE3FRH and a group of satellite users in the Burlington / Toronto Area. With the Countdown for the launching of the new Phase 3D satellite underway as of June 16, it is anticipated that this years symposium will be one of the most important technical meetings in the past few years. Already there are 25 papers prepared and speakers from around the world will be presenting their knowledge in satellite technology and operating skills. The board of AMSAT-NA has appointed Robin Haighton as Vice-President, Canadian Affairs, to maintain liaison with other Satellite and Amateur Radio Organizations and to provide a link between the interests of Canadian AMSAT members, RAC and Industry Canada.

For further information please contact Robin Haighton, VE3FRH at 905-335-5892 or ve3frh@amsat.org

970613: ARRL Sweepstakes November 1997

From ARRL Headquarters
 To all radio amateurs,

Keep an ear out for VO1 and VO2 call signs during this fall's ARRL Sweepstakes. Canada's new Newfoundland-Labrador (NL) Section will be among those that SS participants will have to snag this November on their way to that coveted Clean Sweep Award. The ARRL received formal notification of the change last week from Radio Amateurs of Canada President J. Farrell "Hoppy" Hopwood, VE7RD, although the addition of the NL section actually was approved last year. Some NL hams gave NL as their section in last fall's SS, although the change had not yet been incorporated into the list of SS sections. Joe Craig, VO1NA, of Torbay, Newfoundland, is the Section Manager in NL. RAC Vice President and General Counsel Tim Ellam, VE6SH, said the new section was created "primarily as it was hard to service VO1/2 from the MAR (Maritimes) section due to geography."

The addition of a new section could prove to be a significant challenge for those hoping to work all ARRL and RAC sections, plus VE8/VY1 (a total of 79 multipliers) in the popular fall event. Some

Canadian sections already are among the more difficult ones to find and work. (A heads up: Ellam says RAC has also

explored the possibility of creating additional new sections north of the border, but no decisions have been reached yet.) The change also means that those who use computerized logging programs will have to add the new section to their program's list of SS sections—just as they had to do last fall with the addition of the Northern New York section.

This year's ARRL Sweepstakes weekends are November 1-2 (CW) and November 15-16 (SSB).

CQ-Contest on WWW: http://www.contesting.com/_cq-contest/

970426: New Contest Notice Nov 9, 1997

The Peace Country Amateur Radio Club is proud to sponsor the PCARC QRS Contest. The contest is scheduled for November 9, 1997 from 0000 UTC to 0500 UTC.

The idea for this contest is aimed at the Basic + 5 wpm CW users or a similar entry level on HF for other countries.

Its purpose is to get more Amateurs using CW and becoming more comfortable with it.

For more information check out the PCARC contest page at <http://www.telusplanet.net/public/ve6dav/pqrscon.htm>

970927: ELECTION CAMPAIGN-RAC DIRECTOR FOR 1998-99

**From: Farrell Hopwood, VE7RD. President RAC
NOTICE TO RAC MEMBERS - ONTARIO SOUTH REGION
ELECTION CAMPAIGN - RAC DIRECTOR FOR 1998-1999
A STATEMENT OF CLARIFICATION FROM RAC**

It is a RAC policy that its Directors and Executive do not endorse or promote candidates for elective office. RAC's Board of Directors and National Executive has not, and do not, endorse or promote any of the candidates seeking election to the office of the Director - Ontario South.

Incumbent Director Shtun had claimed the endorsement of President Hopwood in a recent Packet Radio message to @ALLONT. His notice of retraction and his apology is offered below.

Farrell Hopwood, VE7RD
RAC President

"Recent packet bulletins and other information currently circulating, regarding the forthcoming Ontario South RAC Director election have apparently caused some confusion. There was no intent at any time to mislead.

I wish to state specifically that neither Farrell Hopwood VE7RD or Tom Atkins VE3CDM in their official amateur capacities as RAC President and President of IARU Region 2 respectively or any of the RAC Directors and Executive have NOT at any time individually or collectively endorsed my current campaign for election as the Ontario South Director, for the 2 year term beginning January 1998.

I sincerely regret any possible confusion, and wish to express my sincere apologies for this apparent misunderstanding to both VE7RD and VE3CDM and anyone else.

This was an inadvertent and unfortunate error on my part. Your understanding will be appreciated.

73 Dana Shtun, VE3DSS
Etobicoke, Ontario, Sept 23, 1997"

970928: ENDORSATION OF A CANDIDATE BY IARU PRESIDENT ATKINS

From: Farrell Hopwood, VE7RD. RAC President and Board Chair
NOTICE TO RAC MEMBERS - ONTARIO SOUTH REGION
ELECTION CAMPAIGN - RAC DIRECTOR FOR 1998-1999
ENDORSATION OF A CANDIDATE BY IARU PRESIDENT ATKINS

A recent newsletter published by the Toronto FM Communications Society (TFMCS) links IARU Region II President Thomas Atkins, VE3CDM as endorsing and promoting incumbent Director Shtun, VE3DSS in the forthcoming RAC election in the Ontario South Region.

The quarterly issue of the newsletter devotes a page entitled "Some Plain Talk About Elections" wherein the editor states in an opening comment:

"...I reprint Tom's notes, as a gesture of thanks to Tom and to Dana, with the understanding that this is "not necessarily" an official TFMCS position ... editor".

The full text in support of Mr. Shtun is then presented and attributed to "The Committee to Elect Dana Shtun VE3DSS". Included in the presentation is an unsubstantiated allegation that RAC's Directors are not directly involved enough and are not providing the oversight of the non-elected officials that is necessary to effectively manage RAC. Nothing could be further from the truth!

Mr. Atkins is the President of the International Amateur Radio Union (IARU) Region II, the international body representing national Amateur Radio societies throughout North and South America. Radio Amateurs of Canada (RAC) is an IARU member society.

It is the opinion of the Board of Directors of Radio Amateurs of Canada that Mr. Atkins, as the current President of IARU - Region II, should not endorse any candidate for office in the elective process of any of the member societies. If IARU President Atkins were just a

private citizen, he would have the right to endorse or promote whomever he wishes. In the case in point, IARU Region II President Atkins is the senior official, elected by the member societies of IARU Region II and duty bound not to interfere in the internal affairs of any member society.

IARU Constitution, Article II - Member-Societies, Section 4,

declares:

" Member-Societies retain their complete autonomy with respect to their internal affairs."

The RAC Board has reviewed the "...reprint of Tom's notes..." with regard to (1) publicly supporting a candidate in a RAC election, and (2) unjustly alleging that the RAC Board is negligent in its duty.

The RAC Board considers the inappropriate statements coming from the President of IARU Region II are an unwarranted interference and intrusion into the internal affairs of the members of Radio Amateurs of Canada.

The RAC Board requests that IARU Region II President Atkins make a public apology to the members of RAC and to the RAC Board of Directors.

Upon request, RAC will provide RAC members with a full verbatim copy of the editorial comment and the presentation of the TFMCS newsletter. In the use of regular mail, a business size "Self Addressed Stamped Envelope" (SASE) is required. Direct e-mail request to rachq@rac.ca. A copy is available at the RAC WEB Page at <http://www.rac.ca/>

QCWA

The Quarter Century Wireless Association is an International Organization of Radio Amateurs that have been licensed for 25 years or more. There are currently 196 QCWA Chapters worldwide. The National Capital Chapter 70 of QCWA meets four times a year for a dinner meeting, followed by a speaker. The meetings are held on the third Wednesday of February, May, September, and November. The meetings are held at the Carlingwood Family Restaurant in the Carlingwood Mall, starting at 1815 hrs. The Headquarters of QCWA in Eugene, Oregon, maintains a HomePage. The URL is: <http://www.teleport.com/~qcwa/>.

In addition, local Chapter 70 has recently put up a HomePage. This HomePage is still under construction. Check it out as is. The URL is: <http://www.qcwa70.cyberus.ca>. I will have membership forms available at the October meeting of the OARC.

Hamfests & Special Event

Near North Hamfest-Fleamarket

Parry Sound Amateur Radio Club
Saturday, October 4, 1997
Parry Sound Optimist Club, Parry Sound, Ontario
Admission \$3, Tailgate \$5, tables \$10 includes 1 free admission.
Contact: Tom VE3DED at 705-746-9190 or ve3ded @ ve3psp or ve3ded@gw.va3lug.ampr.org, or Va3phg or Va3mo@ ve3psp

Calgary Fleamarket

Saturday, October 18, 1997
Bridgeland Riverside Community Association, 919 MacDougall Rd NE
Calgary, Alberta, 0900 to 1400
Contact: Brian Henderson, VE6 ZS, 23 Deermoss Pl SE, Calgary, AB T2J 6P5, 403 278 2084 brian.henderson@atco.cu.la

Rive-Sud Hamfest

Club Radio Amateur de la Rive-Sud de Montréal
Saturday, October 25, 1997
Place Desaulniers, 1023 Boul. Taschereau, Longueuil, Quebec
Admission: \$5, tables \$5.
Contact: Micheline Simard, VE2MML, 514-442-1869 CRARSM, a/s Micheline Simard, VE2MML, 87 Barthelemy, app 2, Longueuil, QC J4J 1M1

9th Annual Greenwood Fleamarket

Greenwood ARC
Saturday, October 25, 1997
Greenwood NS, Community Centre, Greenwood, Nova Scotia, Vendors 8 a.m. Public 10.00 a.m.- 2 p.m. Tables free to non-commercial vendors.
Talkin: 147.24(+)
Contact: Steve Harrison, Secretary GARC, VE1SRH. Ph. 902-765-4484. vanharr@ns.sympatico.ca

Hamilton ARC Fleamarket '97

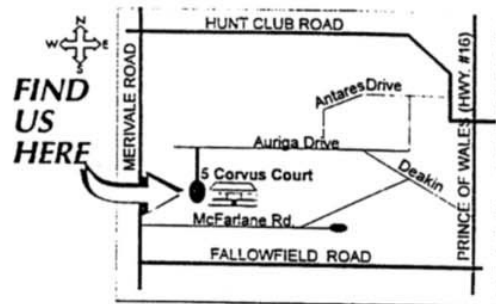
Hamilton ARC
Saturday, October 11, 1997
Merritt Hall, Ancaster Fairgrounds, Hwy. 53 between Southcote Rd. and Kitmurry Lane. Vendors 7 a.m., public 9 a.m.
Talkin: VE3NCF 146.760(-).
Conact: Fax: 905-664-2801. HARC, c/o 13 Puritan Ct., Stoney Creek, ON L8E 4K9.

Radar Veterans' Reunion Convention (WWII RCAF)

Tuesday, October 7, 1997
Citadel Inn, 101 Lyon St., Ottawa, Ontario
Contact: Radar Convention Organizing Committee
Box 84001, Pinecrest P.O., Ottawa, ON K2C 3Z2, or fax 613-828-6306



BML Communications
 (A division of Bytown Marine Limited)
 5 Corvus Court, Ottawa, ON K2E 7Z4
 Telephone: (613) 723-8424 Fax: (613) 723-0212
 email: gwalker@bml.ca Web Site: www.bml.ca

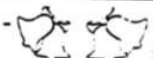


TRANSCEIVERS & RECEIVERS BY:
 DRAKE, ICOM, JRC, KENWOOD, LOWE,
 RELM, YAESU

ANTENNAS & ACCESSORIES BY:
 AEA, BARKER & WILLIAMSON,
 CUSHCRAFT, DAIWA, DIAMOND, LARSEN, MFJ,
 HUSSLER, UNADILA, WORKMAN, WINTENNA,
 VALOR, PROAM, ALPHA DELTA, TELEX, TRYLON,
 NYE-VIKING, TIMEWAVE DSP, TIGERTRONICS,
 AMERITRON, MIRAGE, BENCHER, DCI FILTERS,
 ARRL PUBLICATIONS, SANGAN & MORE



November - December 1997



ICOM

| | |
|---|--------|
| IC-706, 160-10m, 6m & 2m, all mode transceiver | 1,478. |
| IC-706MKII | 1,859. |
| IC-T2A "new" 2m Handheld | 275. |
| IC-R10 "new" Handheld Receiver All Mode .5-1300 MHz | 785. |
| IC-W32A 2m/70cm Handheld | 479. |
| IC-T7A 144/440 MHz Handheld Transceiver | 390. |

KENWOOD

| | |
|--|--------|
| TH-235A 2m Handheld Transceiver 'new' | 269. |
| TM-251A 2m Transceiver w/Dual Band Receiver | 389. |
| TM-V7A Dual Band Mobile with 'cool blue' Display | 750. |
| TS-870S HF Transceiver | 3,100. |

YAESU

| | |
|---|--------|
| VX-IR, World's Smallest Dual Band Handheld Transceiver | 470. |
| FT-920, New HF Transceiver with 6meter, replaces FT-990 | 2,900. |

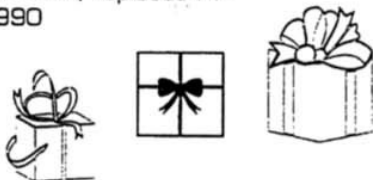
18" UNIDEN DIRECT TV SYSTEMS

| | |
|---|------|
| UDS-100 Digital Satellite Receiver, w/dish & mounting bracket | 600. |
| UDS-200 Same as above, more features & RF Remote | 950. |

CALLBOOK

1996 Call book on CD ROM

25.



WE ALSO OFFER AUTHORIZED FACTORY SERVICE
 Store Hours Monday to Friday 10:a.m. - 6:p.m. Saturdays 9:a.m. - 1:p.m.